

WBM High Precision Battery Monitor

Recreational vehicles • Commercial trucks • Solar power systems • Industrial systems • Remote homes



Datasheet

Your battery tank level monitor, all battery information at a glance



High Precision Battery Monitor

WBM-Basic • WBM-Pro • WBM-Pro HV

How long will your battery last? • When do I need to replace my battery?
When do I need to recharge my battery?

- The window to your battery
- Accurate energy monitoring of one or two battery banks
- No sudden empty battery: precise 'time remaining' indicator (hrs, min)
- Calculation of ampere-hours consumed
- State of charge indicator in %
- Various programmable alarms
- Easy to use, plug and play installation



smart energy solutions



smart energy solutions



Parameter Art. Nr.	WBM-Basic 40290310	WBM-Pro 40290311	WBM-Pro HV 40290312
Technical specifications			
Supply voltage range	9.35 VDC	9.35 VDC	14.70 VDC
Supply current ¹⁾ : @Vin=24VDC	7 mA	7 mA	5 mA (@Vin=48VDC)
@Vin=12VDC	9 mA	9 mA	6 mA (@Vin=36VDC)
Input voltage range (auxiliary battery)	2.35 VDC	2.35 VDC	2.35 VDC
Input voltage range (main battery)	0.35 VDC	0.35 VDC	0.70 VDC
Input current range ²⁾	-999..+999A	-9999..+9999A	-9999..+9999A
Battery capacity range	20..999 Ah	20..9990 Ah	20..9990 Ah
Operating temperature range	-20..+50°C	-20..+50°C	-20..+50°C
Readout resolution : voltage	± 0.1V (0..35V)	± 0.01V (0..35V)	± 0.01V (0..70V)
current	± 0.1A (0..100A)	± 0.1A (0..200A)	± 0.1A (0..200A)
current	± 1A (100..999A)	± 1A (200..9999A)	± 1A (200..9999A)
capacity range	± 0.1Ah (0..100Ah)	± 0.1Ah (0..200Ah)	± 0.1Ah (0..200Ah)
capacity range	± 1Ah (100..999Ah)	± 1Ah (200..9990Ah)	± 1Ah (200..9990Ah)
state-of-charge (0..100%)	± 0.1%	± 0.1%	± 0.1%
time remaining (0..24hrs)		± 1 mn	± 1 mn
time remaining (24..240hrs)		± 1 hr	± 1 hr
temperature (-20..+50°C) ³⁾		± 0.5°C	± 0.5°C
Voltage measurement accuracy	± 0.3%	± 0.3%	± 0.3%
Current measurement accuracy	± 0.4%	± 0.4%	± 0.4%
Material of housing	ABS	ABS	ABS
Color	RAL 7021 black/ grey	RAL 7021 black/ grey	RAL 7021 black/ grey
Dimensions : frontpanel / body diameter	ø 64 mm / ø 52 mm	ø 64 mm / ø 52 mm	ø 64 mm / ø 52 mm
total depth / weight	79 mm / 95 gr	79 mm / 95 gr	79 mm / 95 gr
Shunt dimensions : footprint	45 x 87 mm	45 x 87 mm	45 x 87 mm
height	17 mm (base) / 35 mm (high current fasteners)	17 mm (base) / 35 mm (high current fasteners)	17 mm (base) / 35 mm (high current fasteners)
weight	145 gr	145 gr	145 gr
Protection class	IP20 (frontpanel only IP65)	IP20 (frontpanel only IP65)	IP20 (frontpanel only IP65)
Complies with the following standards	EN61000-6-3 (EN55022), EN61000-6-2 (EN61000-2/3/4, EN61000-4-3), LVD 73/23/EEC (EN60335-1), e4-95/54/EC, RoHS 2002/95/EC Note: the given specifications are subject to change without notice.		

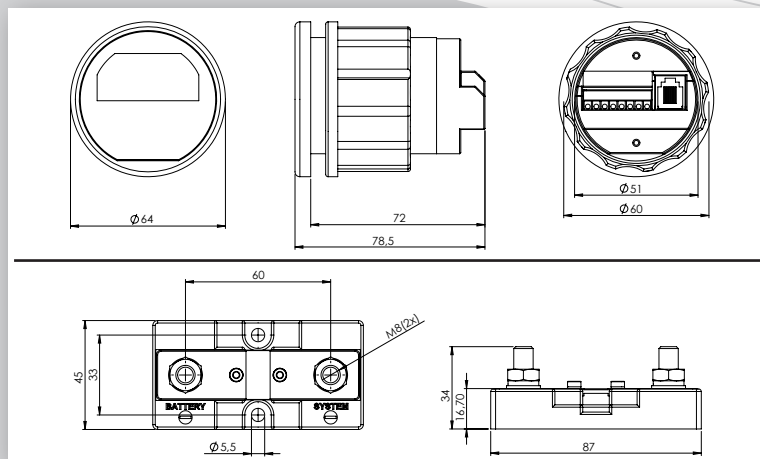
Features:

- WBM reads your battery bank like a fuel gauge.
- Provides critical information about the status of your battery bank(s).
- Displays voltage, current, consumed amp hours, remaining battery capacity and 'time remaining'.
- Two battery inputs.
- Large backlight LC Display.
- Quick nut mounting construction.
- Fully programmable alarm relay.
- Shunt selection capability enables flexible system integration.
- Communication/expansion port.
- Stores a wide range of historical events in internal memory.
- Splash proof frontpanel.
- 500 Amp shunt included.
- CE and e-mark certified.
- 24 months warranty.



WBM shunt 500A/50mV

¹⁾ Measured with backlight and alarm relay turned off. ²⁾ Depends on selected shunt. With standard delivered 500A/50mV shunt (350A continuous), the range is limited to -600..+600A. ³⁾ Only available when optional temperature sensor is connected.



Art. Nr.	Item
40290300	WBM 6mtr Connection accessory kit
40290301	WBM 12mtr Connection accessory kit
40290303	WBM 3mtr Quick Connection kit
40290304	WBM 10mtr Temperature sensor kit
40290305	WBM-RS-232 Communication kit
40290306	WBM-USB Communication kit
40290307	WBM1:5 Voltage prescaler kit
40290308	WBM Alarm output expander kit
40290320	WBM1200A/50mV shunt
40290321	WBM500A/50mV shunt (included WBM)